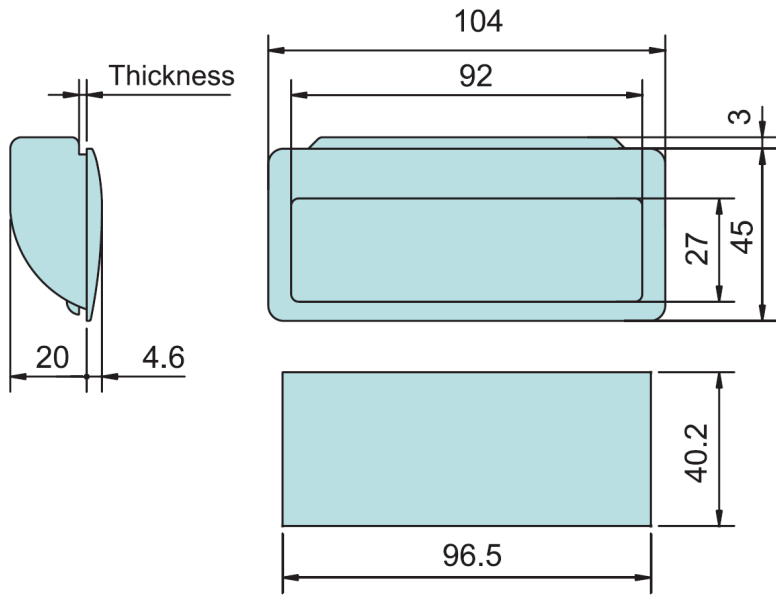


Dimension



Panel Preparation dimension

Item No.	(mm) Thickness	(kg) Load
98746-1	1.2	30
98746-2	1.6	
98746-3	2.0	