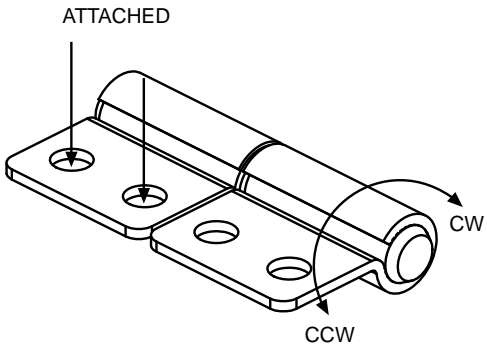
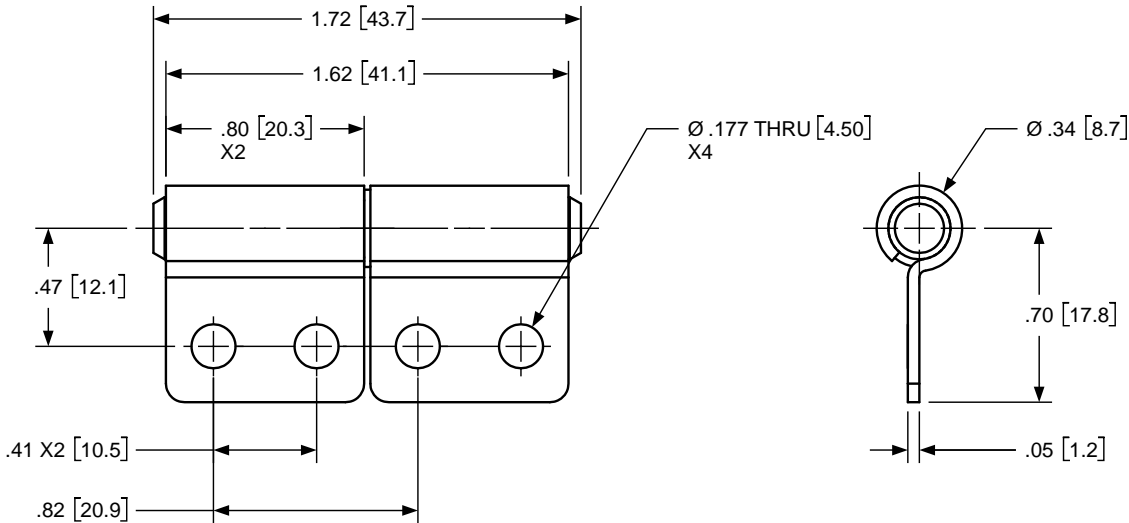


REVISION RECORD			
REV	DESCRIPTION	DATE	APPD



- NOTES:**
- HINGE TORQUE: BALANCED.
  - CW TORQUE = CCW TORQUE = 11.0 IN.LB ±15% [127±15%KG.MM].

HANAYA		TITLE <b>HINGE INTERFACE</b>			
ALL INFORMATION ON THIS PRINT ARE PROPRIETARY TO HANAYA, AND SHALL NOT BE USED IN WHOLE OR IN PART WITHOUT HANAYA'S CONSENT.		ENGLISH / METRIC		MATERIAL	
		TOLERANCES		STEEL BAND & SHAFT	
		METRIC	ENGLISH	SIZE	DWG NO
		.X ±.3 MM	.XX ±.015 IN	<b>B</b>	<b>0018-0030-HNG BLACK</b>
		.XX ±.13 MM	.XXX ±.005 IN		
		.XXX ±.005 MM	.XXXX ±.0002 IN		
USED ON	REV	ANGLE ± 1°		DRAWN BY	DATE
				SCALE	SHEET 1 OF 1